

Euro-Max Full Extension Soft-Close Undermount Slides

SKU: ZX4801

16mm Series

3D Locking Clips

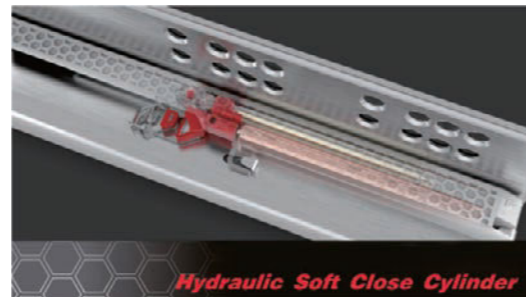


Product specification:

Length: 10" (250mm) to 22" (550mm)
 Mounting type: Undermount
 Closing type: Soft close
 Load Capacity: 100 lb. / 18"
 Application: Frameless
 Height of slide: 45mm
 Max Drawer Side thickness: 5/8" (16mm)

Required space:

For (1/2") material 5/16" each side
 For (5/8") material 3/16" each side
 Locking device adjustment: ±3mm
 Finishing: Galvanized steel
 Main material: Cold-rolled steel
 Material thickness: 1.8-1.5-1.0mm



Order Information

Complete Soft-Close Undermount Drawer Slide Packages	
NL (mm)	Part Number
250	ZX4801 -250
300	ZX4801 -300
350	ZX4801 -350
400	ZX4801 -400
450	ZX4801 -450
500	ZX4801 -500
550	ZX4801 -550

Each Set Includes :

1. Undermount Slide (L/R)	x 1 Set
2. 2D Locking Bracket (L/R)	x 1 Pair

10 Sets per Carton

Standard Accessories Part	
1 2D Locking Bracket	Set
	Part Number
	SL-248

Optional Accessories Part	
2 3D Locking Bracket	Set
	Part Number
	SL-267

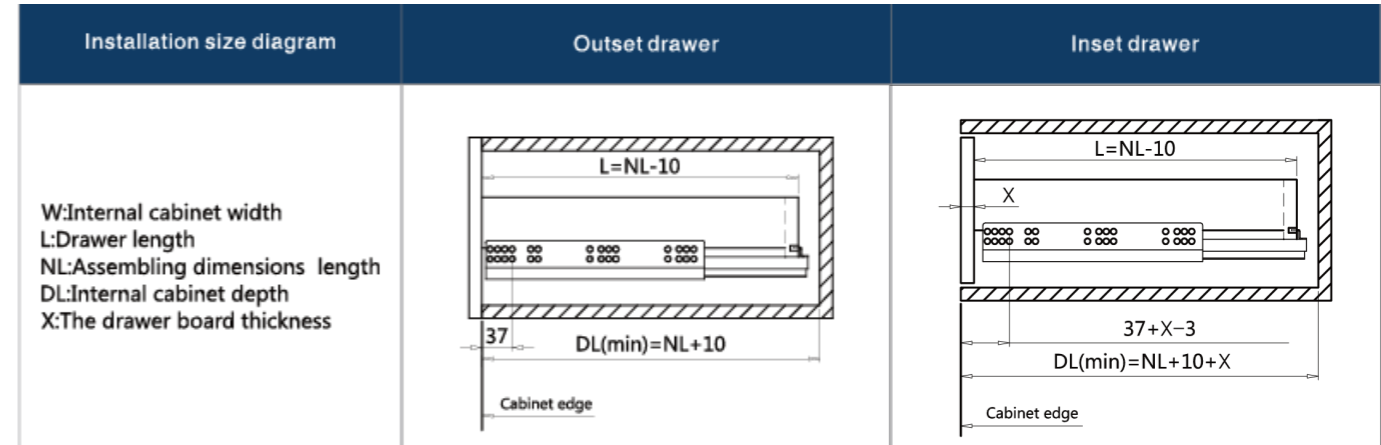
Space Requirement	
Drawer (Minimum Depth)	Inner Drawer (Minimum Depth)
NL+10	NL+10+FT

Nominal Length
 Front Panel Thickness

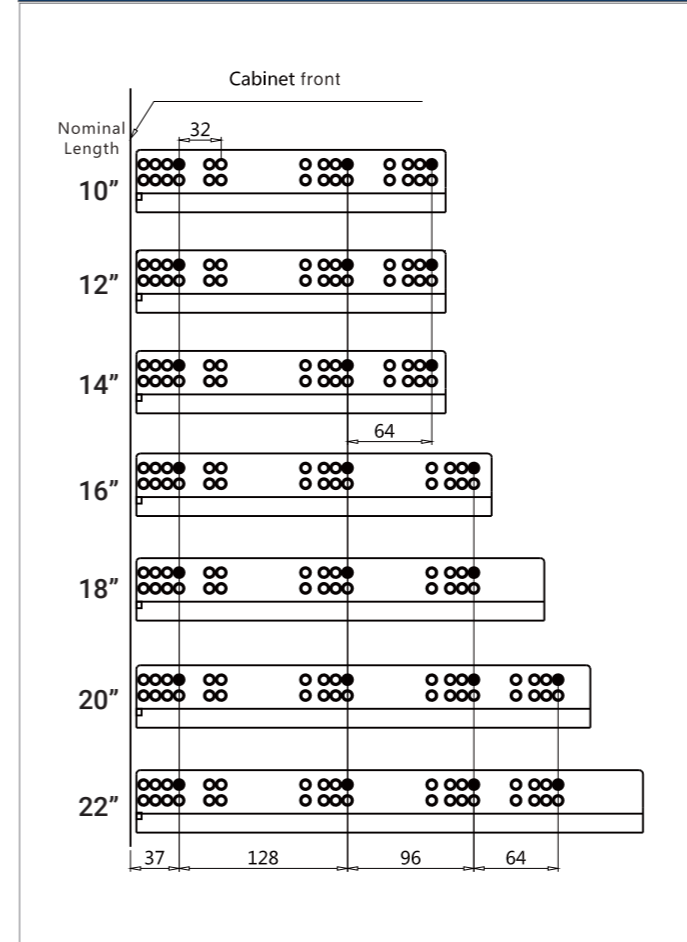


Euro-Max Full Extension Soft-Close Undermount Slides

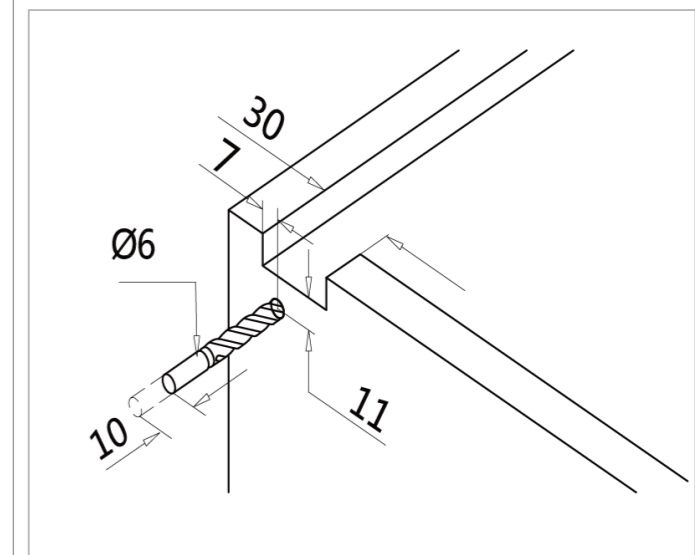
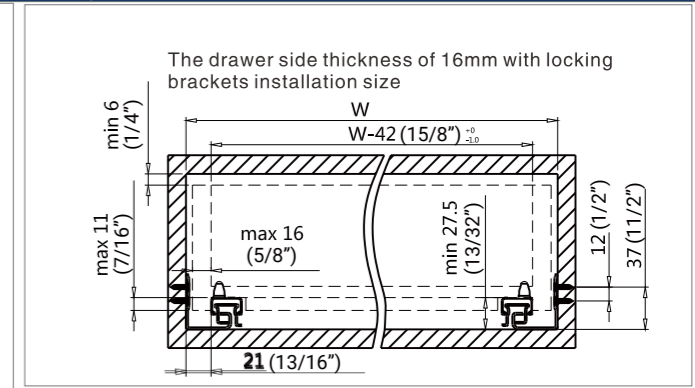
Product Parameters



Screw positions of the slides



Installation dimensions



Calculating outside drawer width

For drawer side panel thickness	(5/8")	(9/16")	(1/2")
Deduct from inside cabinet width	(3/8")	(9/16")	(5/8")

Example: For (24") inside cabinet width and a (1/2") thick drawer panel, (24") minus (5/8") = (23 3/8") drawer width

25	26	27	28	29	30	31	32	33	34	35	36	37	38	39	40	41	42	43	44	45	46	47	48	49	50	51	52	53	54	55	56	57	58	59	60	61	62	63	64	65	66	67	68	69	70	71	72	73	74	75	76	77	78	79	80	81	82	83	84	85	86	87	88	89	90	91	92	93	94	95	96	97	98	99	100
----	----	----	----	----	----	----	----	----	----	----	----	----	----	----	----	----	----	----	----	----	----	----	----	----	----	----	----	----	----	----	----	----	----	----	----	----	----	----	----	----	----	----	----	----	----	----	----	----	----	----	----	----	----	----	----	----	----	----	----	----	----	----	----	----	----	----	----	----	----	----	----	----	----	----	-----

Millimeter to inch Conversion Chart