

U-Max Metal Drawer Box System

SKU: KB01H

Height: H - 7" (175 mm)



- Length : 250mm - 550mm (10" - 22")
- Dynamic load capacity: 34kg / 18"
- Features: Full extension; silent operation; tool-free assembly & drawer removal
- Panel adjustment: Up and Down, Left and Right
- Lifetime test: 50,000+ cycles

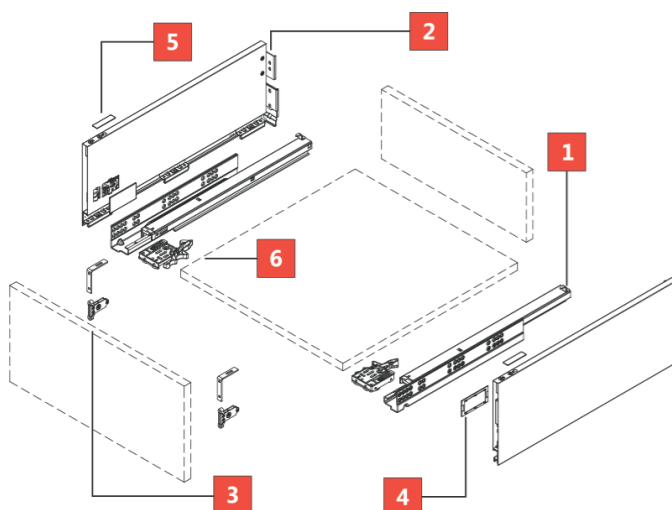
Color		
Code	RAL Code	Color Name
9007	RAL 9007	Dark Grey
9016	RAL 9016	Pearl White
7042	RAL 7042	Light Grey

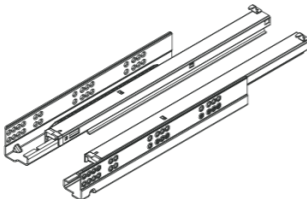
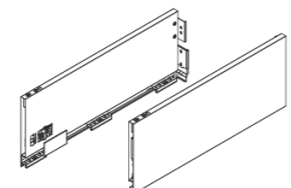




Order Information

Complete Drawer System Packages	
Size (mm)	Part Number
250	KB01H-250
300	KB01H-300
350	KB01H-350
400	KB01H-400
450	KB01H-450
500	KB01H-500
550	KB01H-550

- Each Set Includes :
- | | |
|------------------------|----------|
| 1. Undermount Slide | x 1 Set |
| 2. Drawer Side Board | x 1 Set |
| 3. Front Connector | x 1 Pair |
| 4. Cover Cap | x 1 Pair |
| 5. Top Cover Cap | x 1 Pair |
| 6. Locking Bracket | x 1 Pair |
| *7. 3D Locking Bracket | x 1 Pair |

6 Sets per Carton



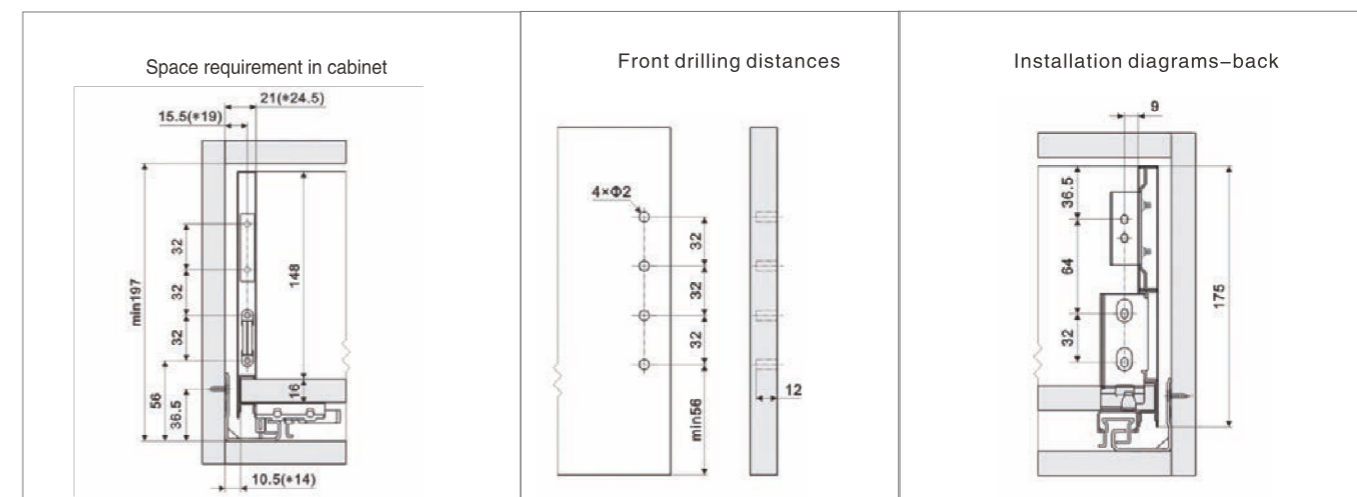
Bulk Packaging		
Description	Part Number	Set
1 Undermount Slide 	ZX4801-250	
	ZX4801-300	
	ZX4801-350	
	ZX4801-400	
	ZX4801-450	
	ZX4801-500	
	ZX4801-550	
2 Drawer Side Board 	KB01HCB-250	
	KB01HCB-300	
	KB01HCB-350	
	KB01HCB-400	
	KB01HCB-450	
	KB01HCB-500	
	KB01HCB-550	
3 Front Connector 	TJ-259	Set
4 Cover Cap 	SL-303	Set
5 Top Cover Cap 	SL-320	Set
6 Locking Bracket 	2D	SL-248
	3D*	SL-267



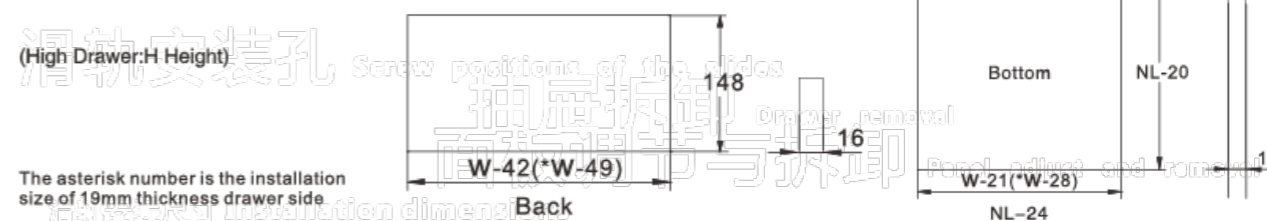
U-Max Metal Drawer Box System

Product Parameters

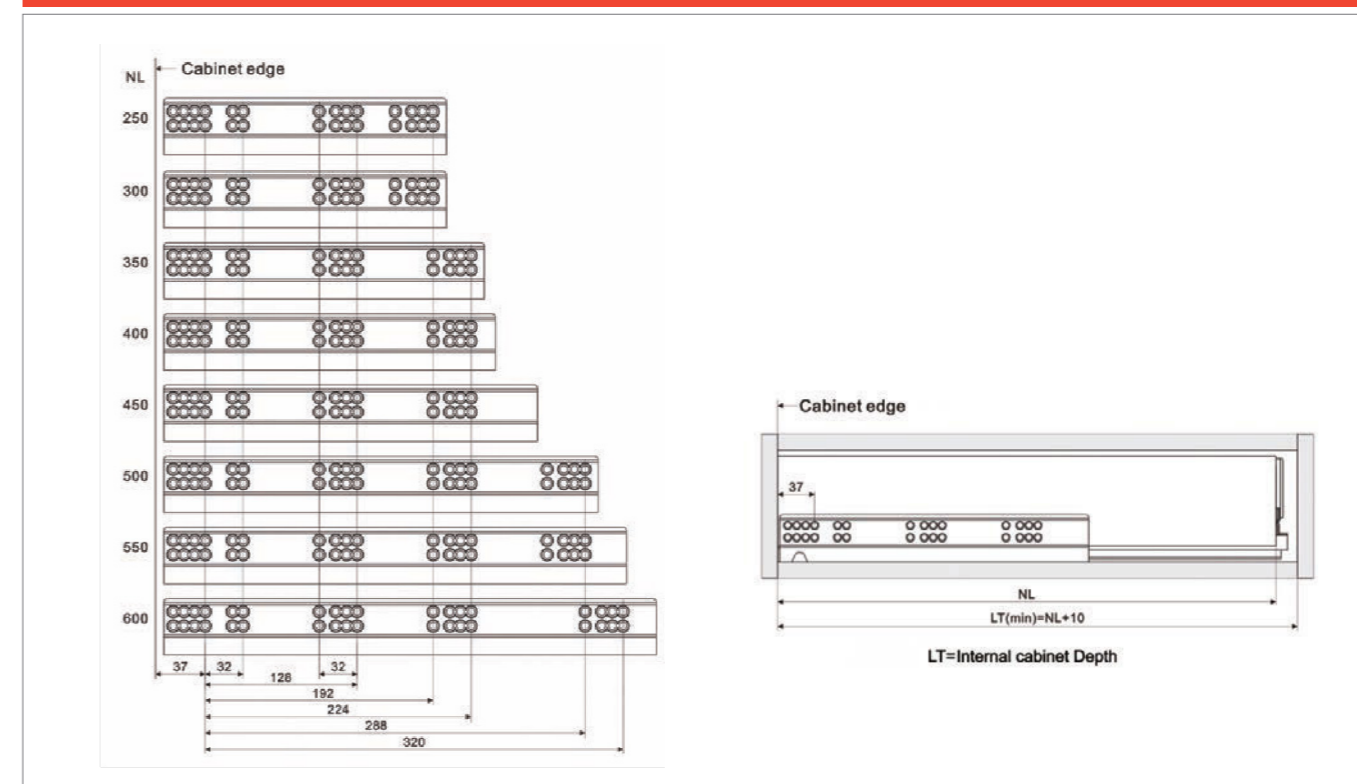
High Drawer = H Height



W: internal cabinet width NL: nominal slide length



Cabinet profile / screw positions



25	25.5	26	26.5	27	27.5	28	28.5	29	29.5	30	30.5	31	31.5	32	32.5	33	33.5	34	34.5	35	35.5	36	36.5	37	37.5	38	38.5	39	39.5	40	40.5	41	41.5	42	42.5	43	43.5	44	44.5	45	45.5	46	46.5	47	47.5	48	48.5	49	49.5	50	50.5	51	51.5	52	52.5	53	53.5	54	54.5	55	55.5	56	56.5	57	57.5	58	58.5	59	59.5	60	60.5	61	61.5	62	62.5	63	63.5	64	64.5	65	65.5	66	66.5	67	67.5	68	68.5	69	69.5	70	70.5	71	71.5	72	72.5	73	73.5	74	74.5	75	75.5	76	76.5	77	77.5	78	78.5	79	79.5	80	80.5	81	81.5	82	82.5	83	83.5	84	84.5	85	85.5	86	86.5	87	87.5	88	88.5	89	89.5	90	90.5	91	91.5	92	92.5	93	93.5	94	94.5	95	95.5	96	96.5	97	97.5	98	98.5	99	99.5	100
----	------	----	------	----	------	----	------	----	------	----	------	----	------	----	------	----	------	----	------	----	------	----	------	----	------	----	------	----	------	----	------	----	------	----	------	----	------	----	------	----	------	----	------	----	------	----	------	----	------	----	------	----	------	----	------	----	------	----	------	----	------	----	------	----	------	----	------	----	------	----	------	----	------	----	------	----	------	----	------	----	------	----	------	----	------	----	------	----	------	----	------	----	------	----	------	----	------	----	------	----	------	----	------	----	------	----	------	----	------	----	------	----	------	----	------	----	------	----	------	----	------	----	------	----	------	----	------	----	------	----	------	----	------	----	------	----	------	----	------	----	------	----	------	----	------	----	------	----	------	-----

Millimeter to inch Conversion Chart