

U-Max Metal Drawer Box System

SKU: KB01L

Height: L - 3 1/2" (90 mm)



- Length : 250mm - 550mm (10" - 22")
- Dynamic load capacity: 34kg / 18"
- Features: Full extension; silent operation; tool-free assembly & drawer removal
- Panel adjustment: Up and Down, Left and Right
- Lifetime test: 50,000+ cycles

Color

Code	RAL Code	Color Name
9007	RAL 9007	Dark Grey
9016	RAL 9016	Pearl White
7042	RAL 7042	Light Grey

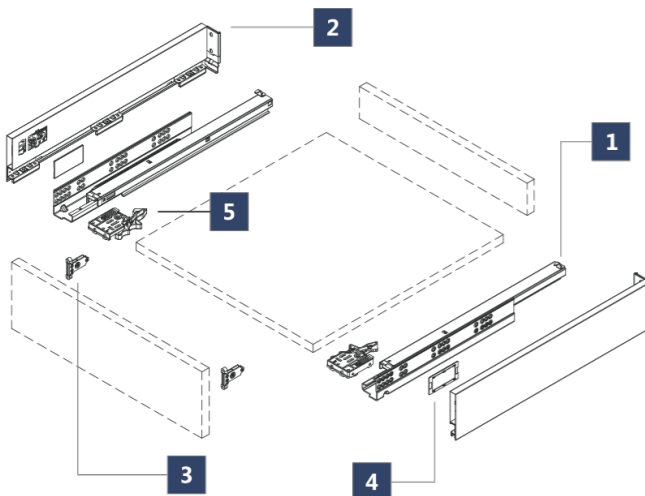
Order Information

Complete Drawer System Packages	
Size (mm)	Part Number
250	KB01L-250
300	KB01L-300
350	KB01L-350
400	KB01L-400
450	KB01L-450
500	KB01L-500
550	KB01L-550

Each Set Includes :

- | | |
|-----------------------------|----------|
| 1. Undermount Slide (L/R) | x 1 Set |
| 2. Drawer Side Board (L/R) | x 1 Set |
| 3. Cover Cap (L/R) | x 1 Pair |
| 4. Front Connector (L/R) | x 1 Pair |
| 5. Locking Bracket (L/R) | x 1 Pair |
| *6. 3D Locking Bracket | x 1 Pair |
| *7. M-Galleries (Rect. L/R) | x 1 Pair |
| *8. H-Galleries (Rect. L/R) | x 2 Pair |

6 Sets per Carton



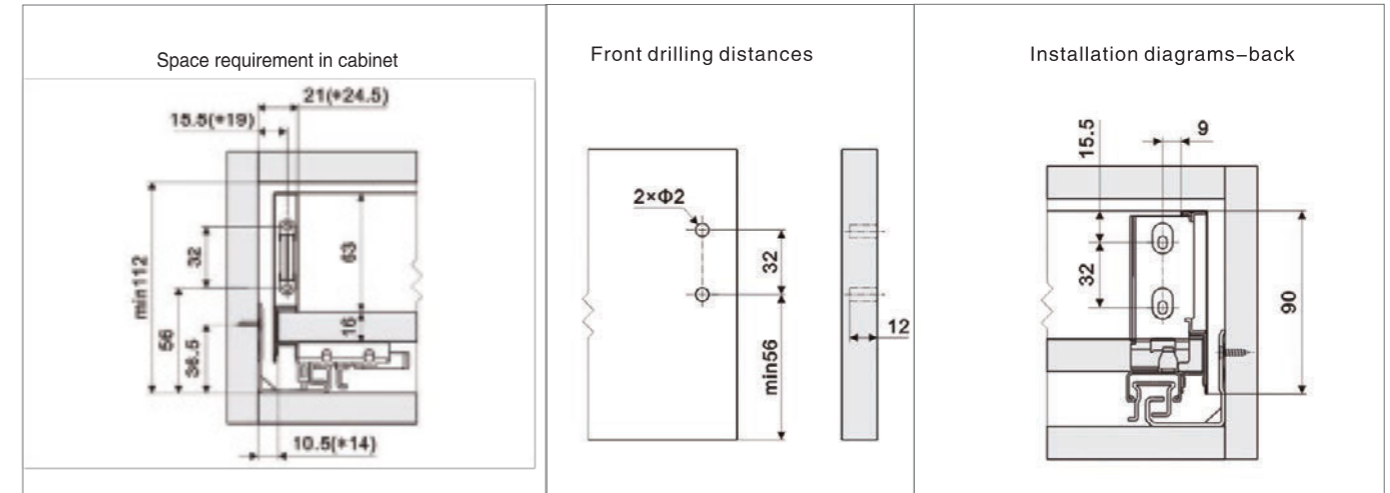
Bulk Packaging			
Description	Part Number		Set
1 Undermount Slide 			Set
	ZX4801-250		
	ZX4801-300		
	ZX4801-350		
	ZX4801-400		
	ZX4801-450		
	ZX4801-500		
2 Drawer Side 			Set
	KB01LCB-250	KB01LCB-450	
	KB01LCB-300	KB01LCB-500	
	KB01LCB-350	KB01LCB-550	
	KB01LCB-400		
3 Front Connector 			Set
	TJ-250		
4 Side Cover Cap 			Set
	SL-303		
5 Locking Bracket 			Set
	2D	SL-248	
	3D*	SL-267	
6* Galleries (Rect.) 			Set
	TJ-319	TJ-323	
	TJ-320	TJ-324	
	TJ-321	TJ-325	
	TJ-322		



U-Max Metal Drawer Box System

Product Parameters

Low drawer = L Height



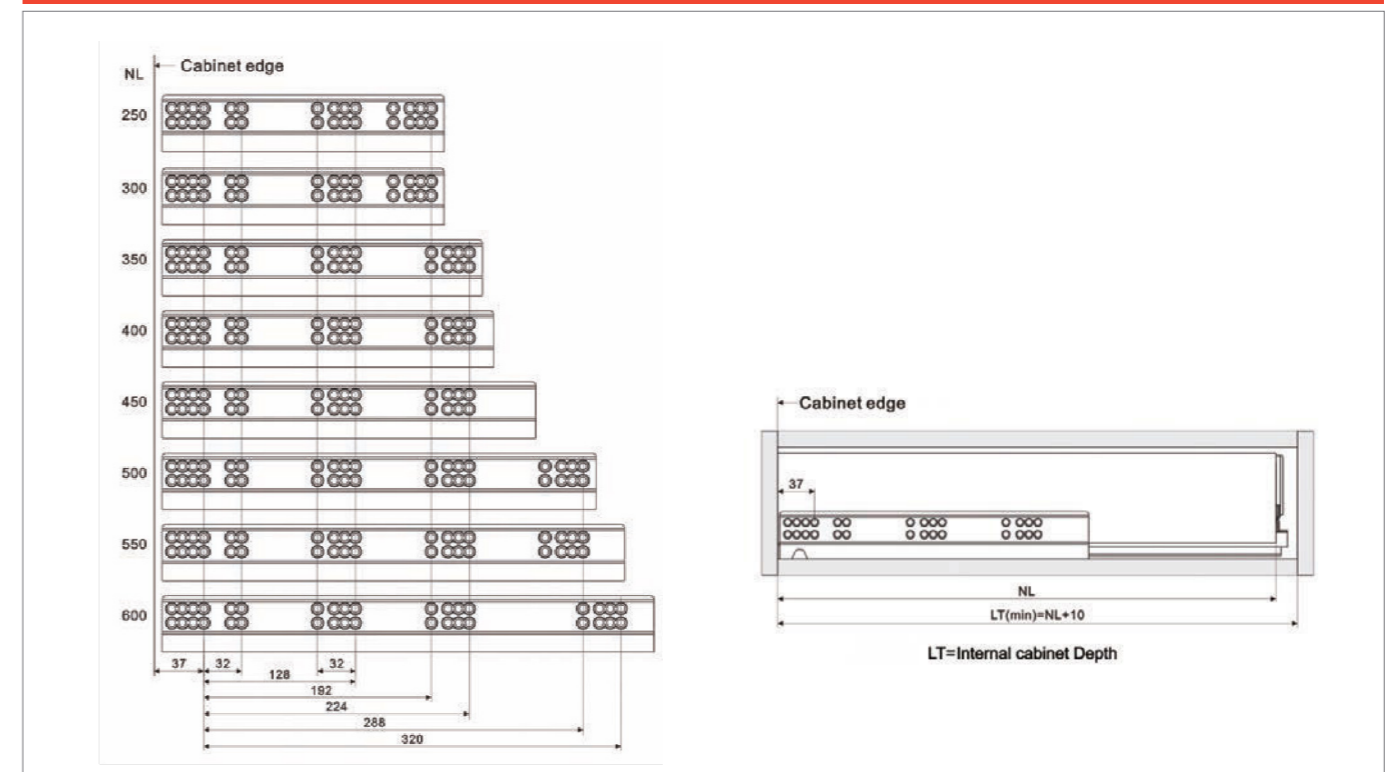
W: internal cabinet width NL: nominal slide length

(Low Drawer: L Height)



The asterisk number is the installation size of 19mm thickness drawer side

Cabinet profile / screw positions



25	26	27	28	29	30	31	32	33	34	35	36	37	38	39	40	41	42	43	44	45	46	47	48	49	50	51	52	53	54	55	56	57	58	59	60	61	62	63	64	65	66	67	68	69	70	71	72	73	74	75	76	77	78	79	80	81	82	83	84	85	86	87	88	89	90	91	92	93	94	95	96	97	98	99	100
----	----	----	----	----	----	----	----	----	----	----	----	----	----	----	----	----	----	----	----	----	----	----	----	----	----	----	----	----	----	----	----	----	----	----	----	----	----	----	----	----	----	----	----	----	----	----	----	----	----	----	----	----	----	----	----	----	----	----	----	----	----	----	----	----	----	----	----	----	----	----	----	----	----	----	-----

Millimeter to inch Conversion Chart