

# CLIP-ON SOFT-CLOSE LAZY SUSAN CORNER HINGES

SKU: SY165

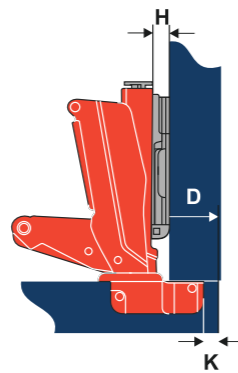


### Product spec:

Opening angle: 165°  
 Closing type: Soft Close  
 Application: Face frame / Frameless  
 Diameter of hinge cup: 35mm  
 Height of hinge cup: 11.3mm  
 Boring distance range: 3-7mm  
 Distance of cup holes centers: 45mm  
 Door thickness: 14-21mm  
 Finishing: Nickel plated  
 Main material: Cold-rolled steel / Zinc alloy  
 Material thickness: 0.8-zinc alloy-1.2mm



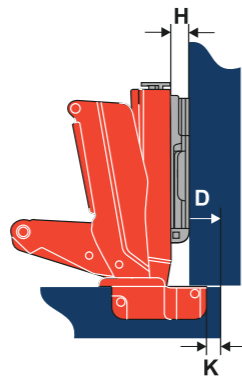
Full Overlay



| D H K 3 | 4  | 5  | 6  | 7  |    |
|---------|----|----|----|----|----|
| 0       | 16 | 17 | 18 | 19 | 20 |
| 3       | 13 | 14 | 15 | 16 | 17 |



Half Overlay

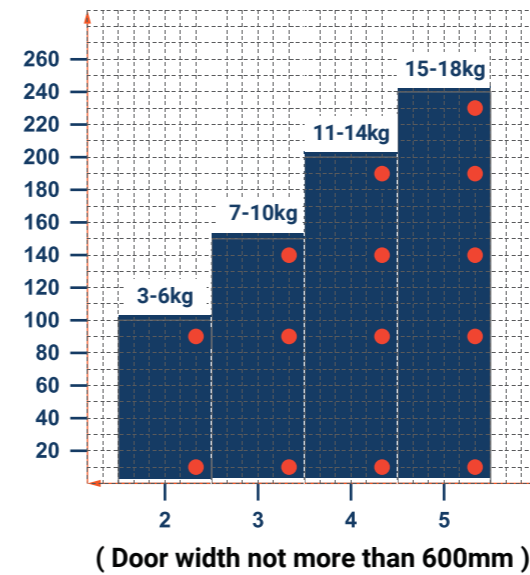


| D H K 3 | 4 | 5 | 6 | 7  |    |
|---------|---|---|---|----|----|
| 0       | 7 | 8 | 9 | 10 | 11 |
| 3       | 4 | 5 | 6 | 7  | 8  |

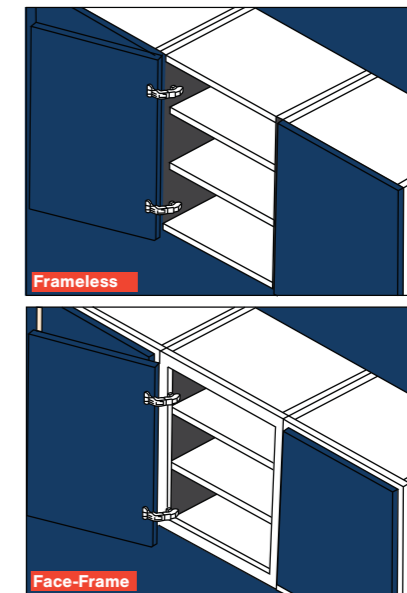
# CLIP-ON SOFT-CLOSE LAZY SUSAN CORNER HINGES

Product Parameters

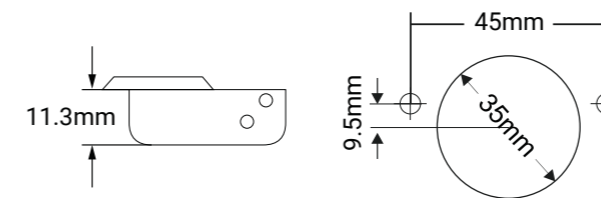
### Hinges per door



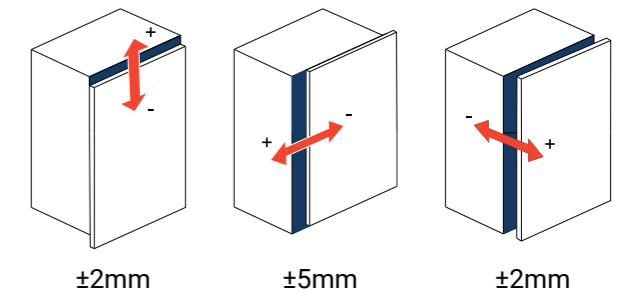
### Application



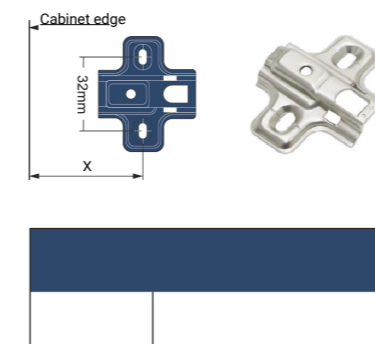
### Dimension of hinge cup



### Door adjustment



### Mounting-plate



### Alternative mounting types

