

U-Max Full Extension Soft Close Undermount Slides

SKU: ZX4803

16mm Series

3D Locking Clips



Product specification:

Length: 12" (305mm) to 21" (533mm)
 Mounting type: Undermount Closing type:
 Soft close Load Capacity: 100 lb. / 18"
 Application: Frameless / Face frame
 Height of slide: 45mm

Required space:

For (1/2") material 5/16" each side
 For (5/8") material 3/16" each side
 Locking device adjustment: ±3mm
 Finishing: Galvanized steel
 Main material: Cold-rolled steel
 Material thickness: 1.8-1.5-1.0mm



Order Information

Complete Soft-Close Undermount Drawer Slide Packages	
NL (mm)	Part Number
229	ZX4803 -229
305	ZX4803 -305
381	ZX4803 -381
457	ZX4803 -457
533	ZX4803 -533

Each Set Includes :

1. Undermount Slide (L/R)	x 1 Set
2. 2D Locking Bracket (L/R)	x 1 Pair
3. Plug-in Socket	x 1 Pair

10 Sets per Carton

Standard Accessories Part	
1 2D Locking Bracket	Set
	Part Number SL-248
2 Plug-in Socket	Set
	Part Number SL-150

Optional Accessories Part	
3 3D Locking Bracket	Set
	Part Number SL-267

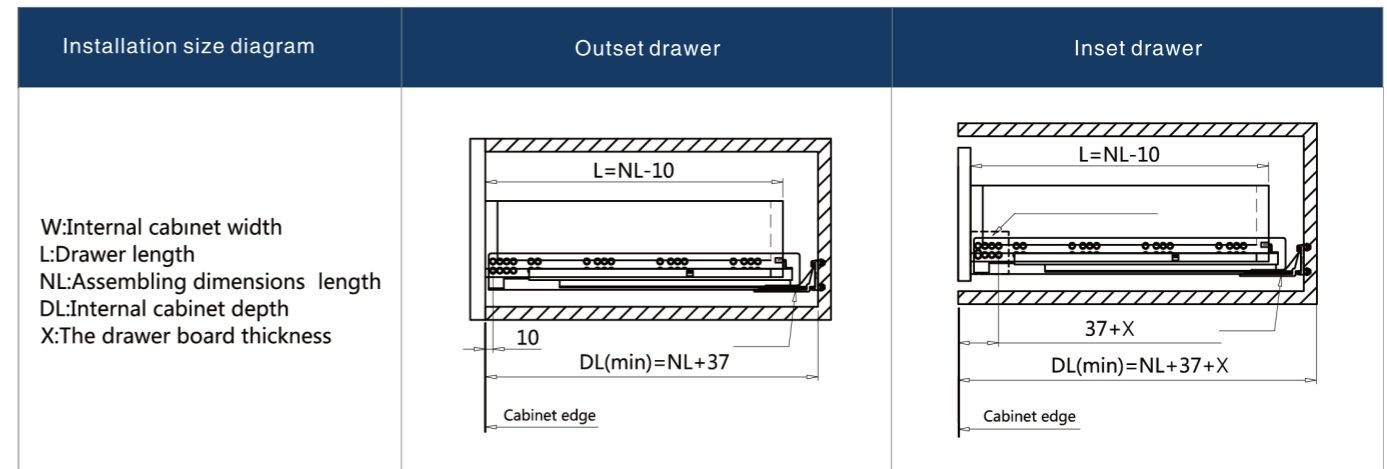
Space Requirement	
Drawer (Minimum Depth)	Inner Drawer (Minimum Depth)
NL+10	NL+10+FT

NL = Nominal Length
 FT= Front Panel Thickness



U-Max Full Extension Soft Close Undermount Slides

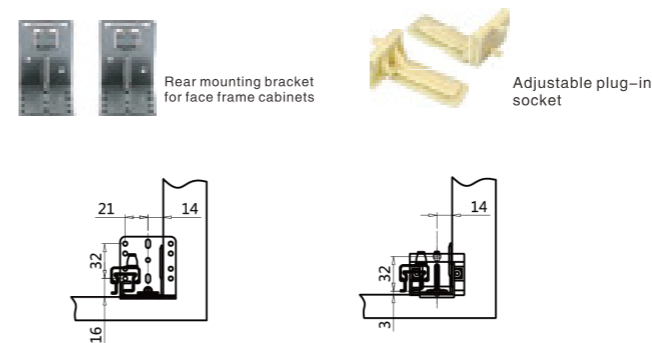
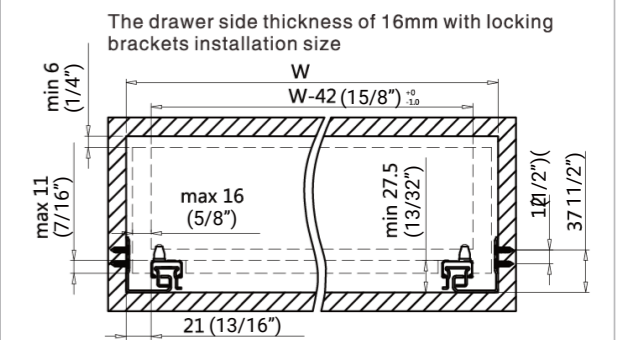
Product Parameters



Screw positions of the slides

Nominal Length	Cabinet edge	Assembling dimensions	Drawer length (mm)	Hole distance size (mm)	
				A	B
9"		ZX4805(*ZX5005)-229	229	128	
12"		ZX4805(*ZX5005)-305	305	224	
15"		ZX4805(*ZX5005)-381	381	224	96
18"		ZX4805(*ZX5005)-457	457	224	192
21"		ZX4805(*ZX5005)-533	533	224	256

Installation dimensions



Calculating outside drawer width

For drawer side panel thickness	(5/8")	(9/16")	(1/2")
Deduct from inside cabinet width	(3/8")	(9/16")	(5/8")

Example: For (24") inside cabinet width and a (1/2") thick drawer panel, (24") minus (5/8") = (23 3/8") drawer width

25	16.5	17	17.5	18	19	20	20.5	21	22	23	24	24.5
----	------	----	------	----	----	----	------	----	----	----	----	------

Millimeter to inch Conversion Chart